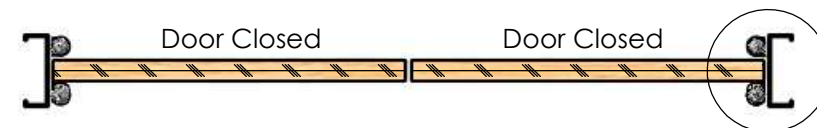
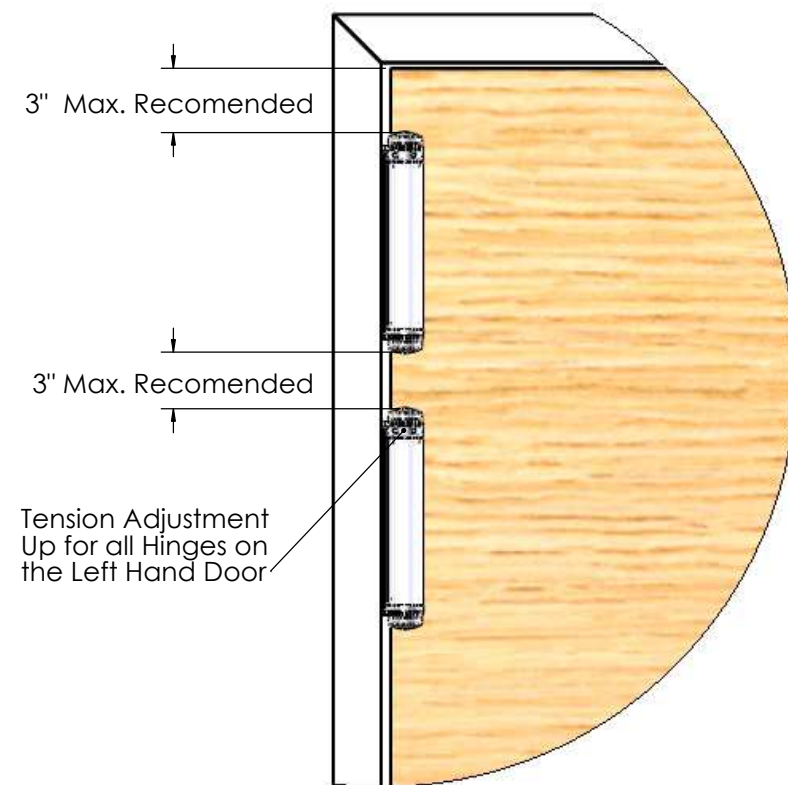


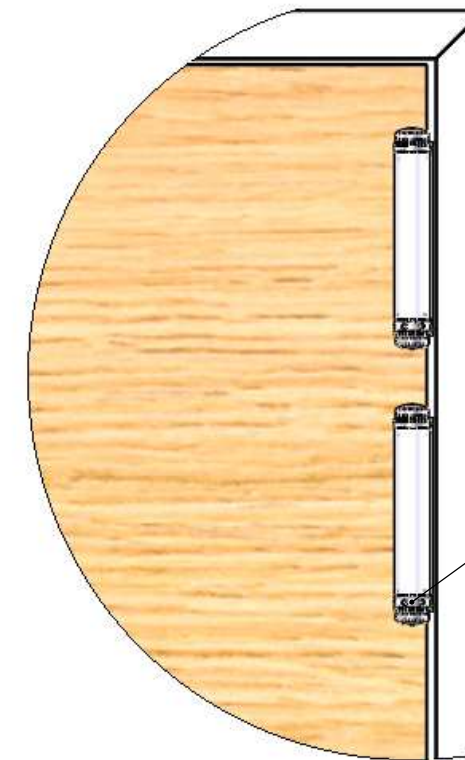
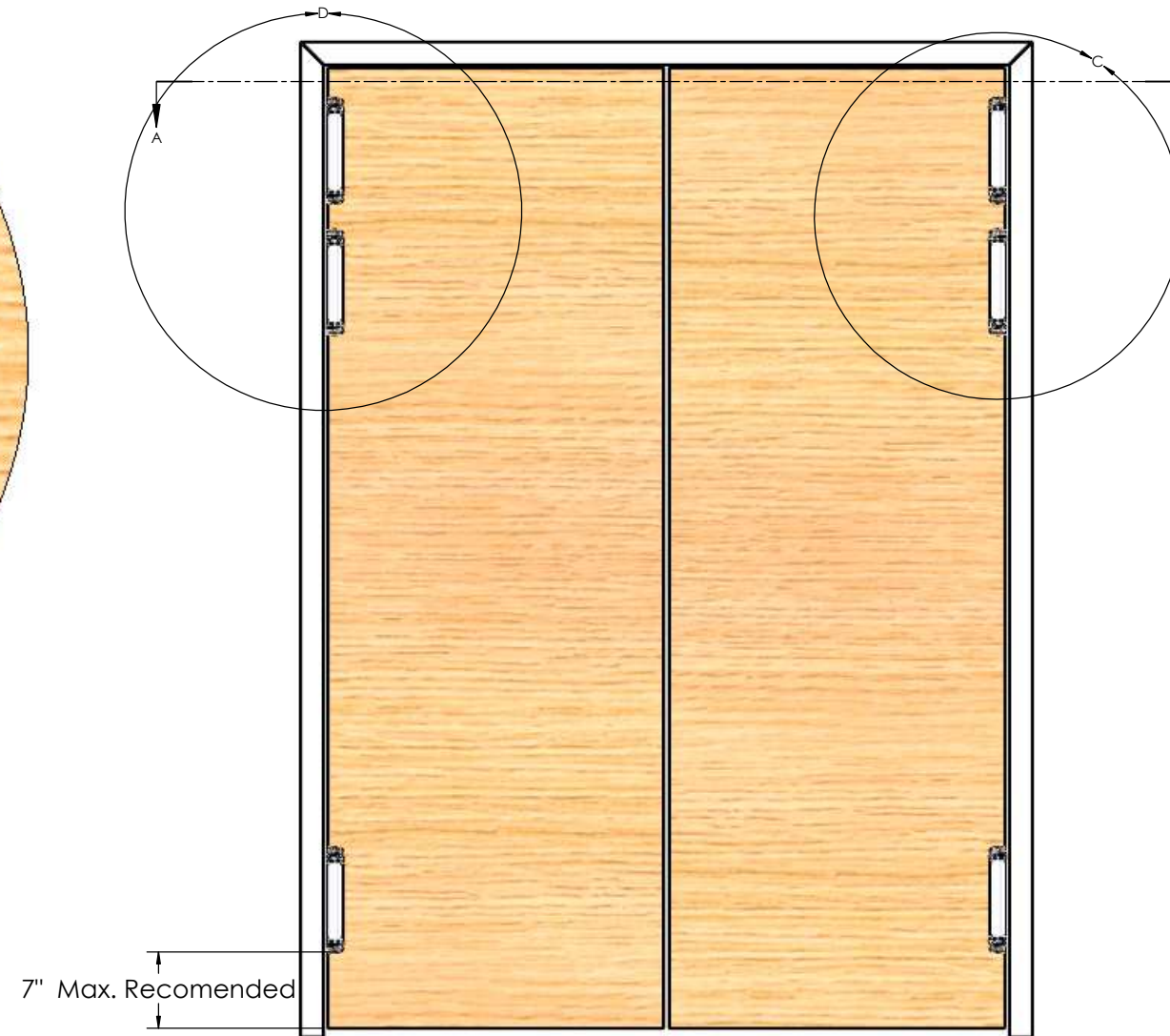
DETAIL B  
SCALE 1 : 1



SECTION A-A  
SCALE 1 : 8



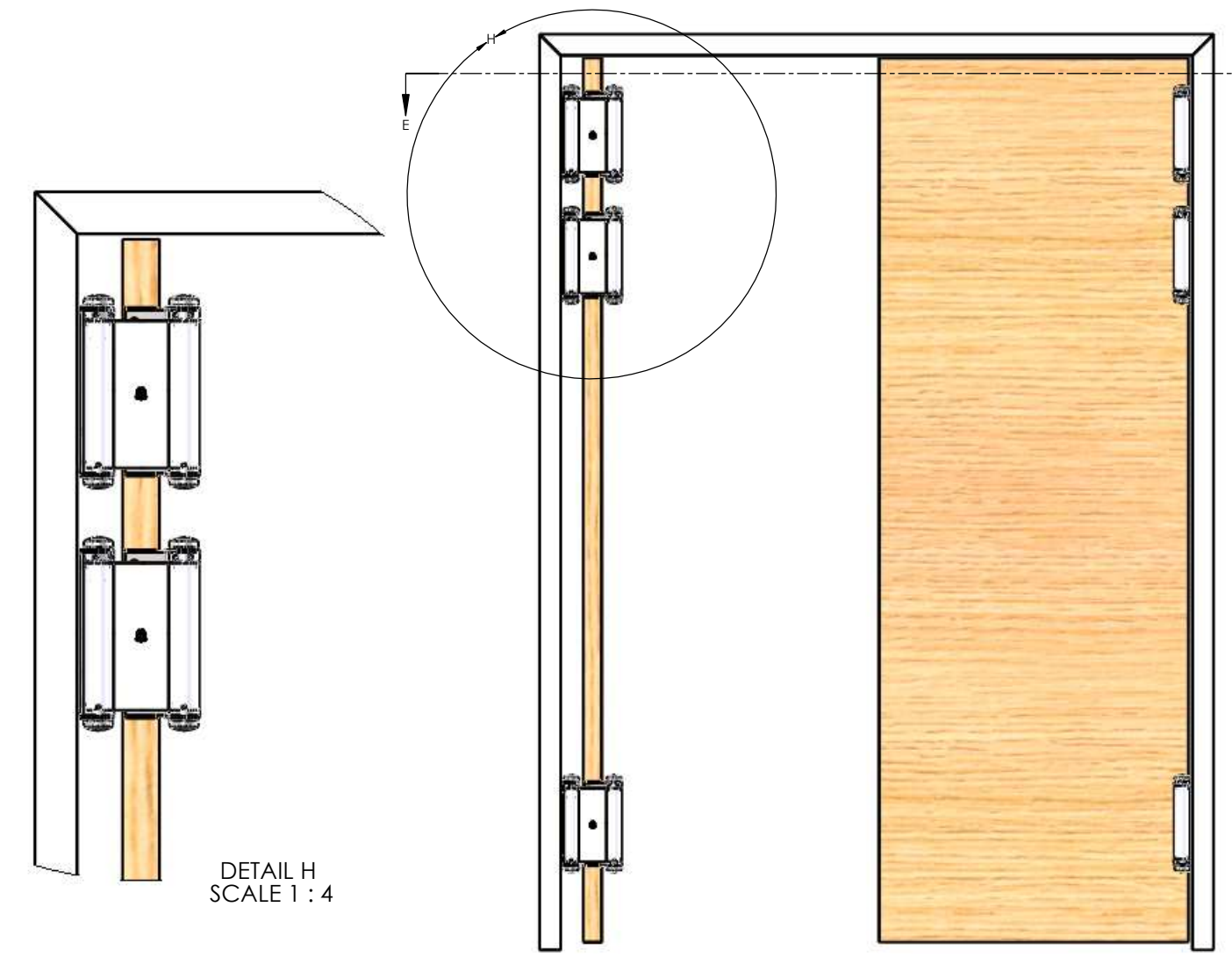
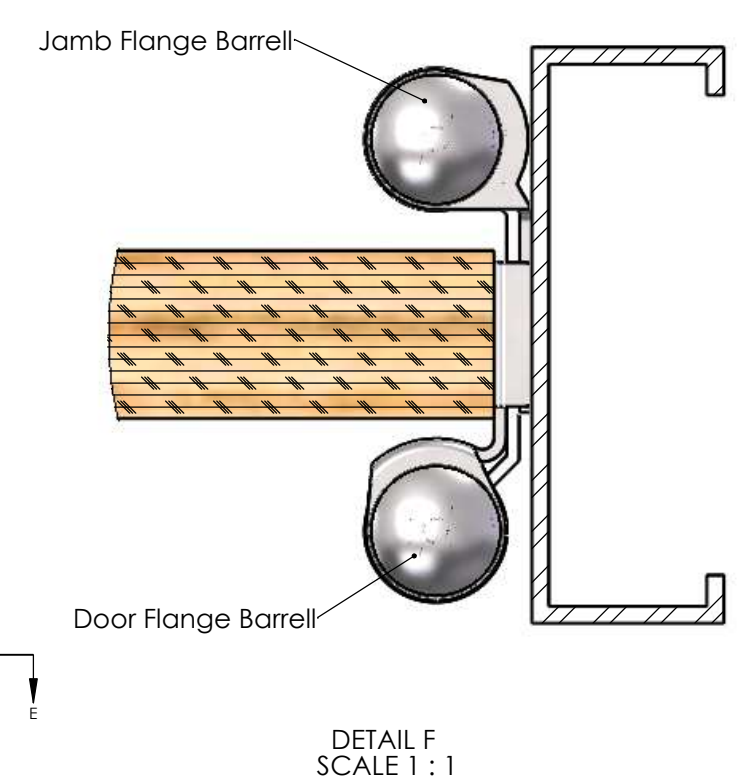
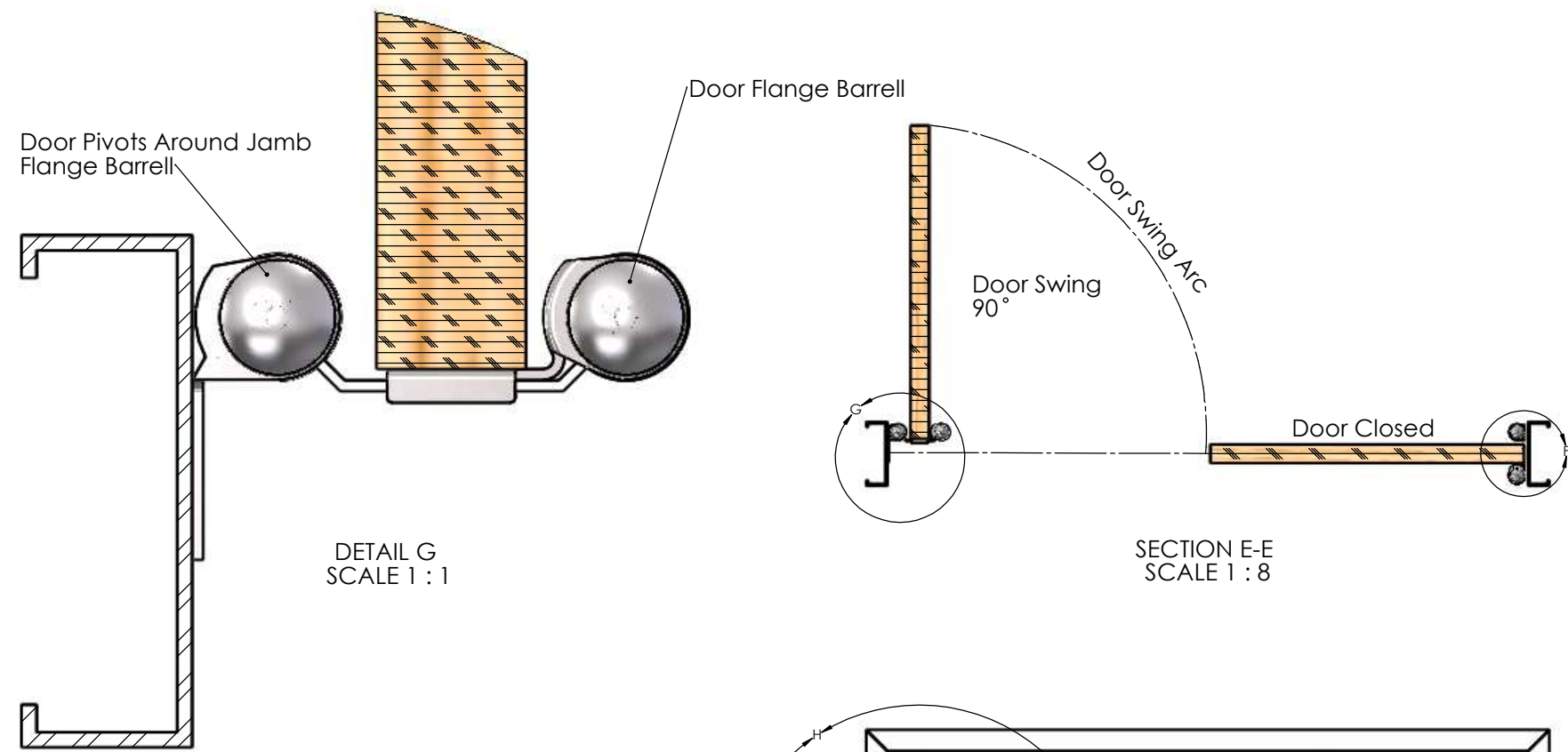
DETAIL D  
SCALE 1 : 4



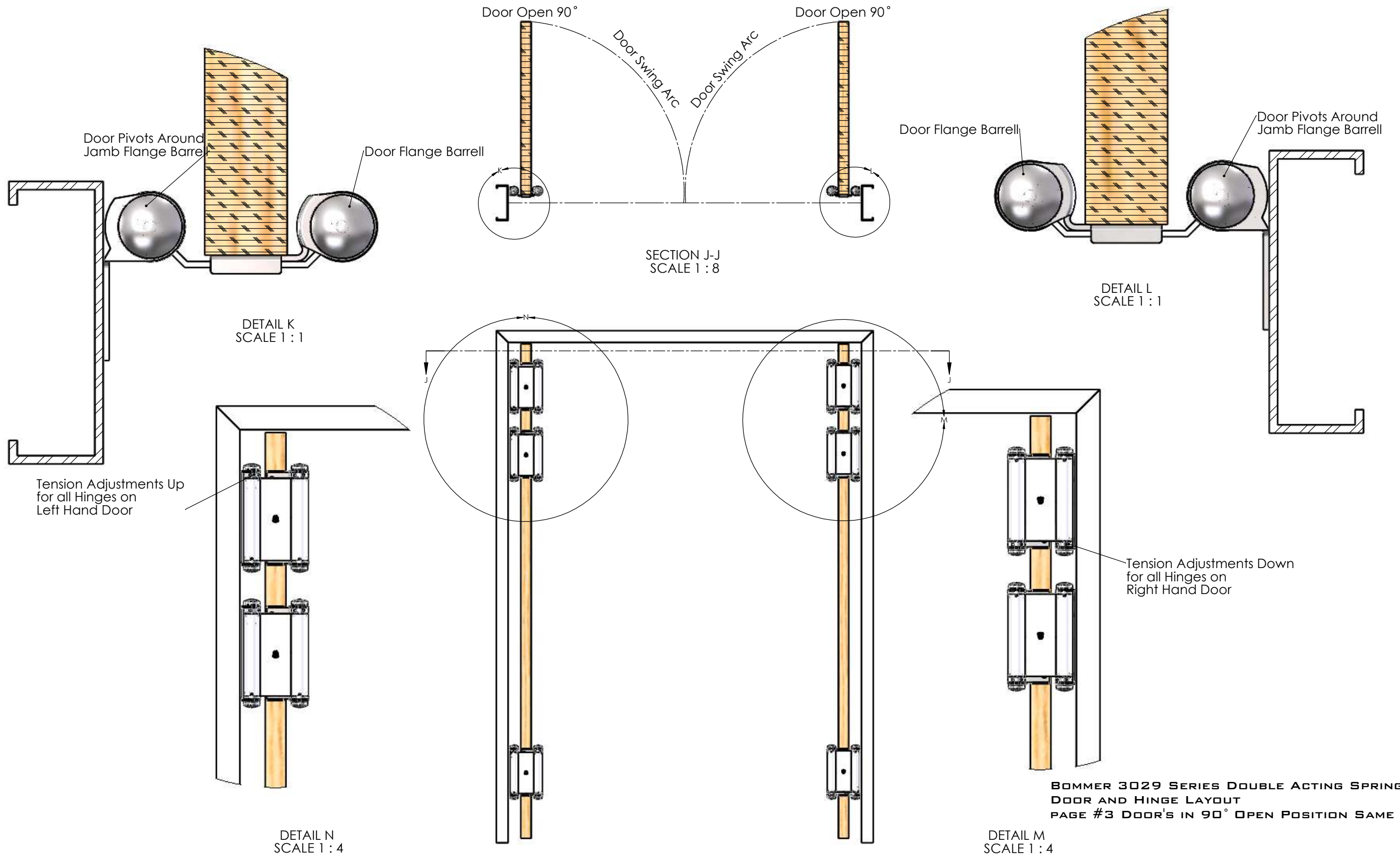
DETAIL C  
SCALE 1 : 4

Tension Adjustment  
Down for all Hinges on  
the Right Hand Door

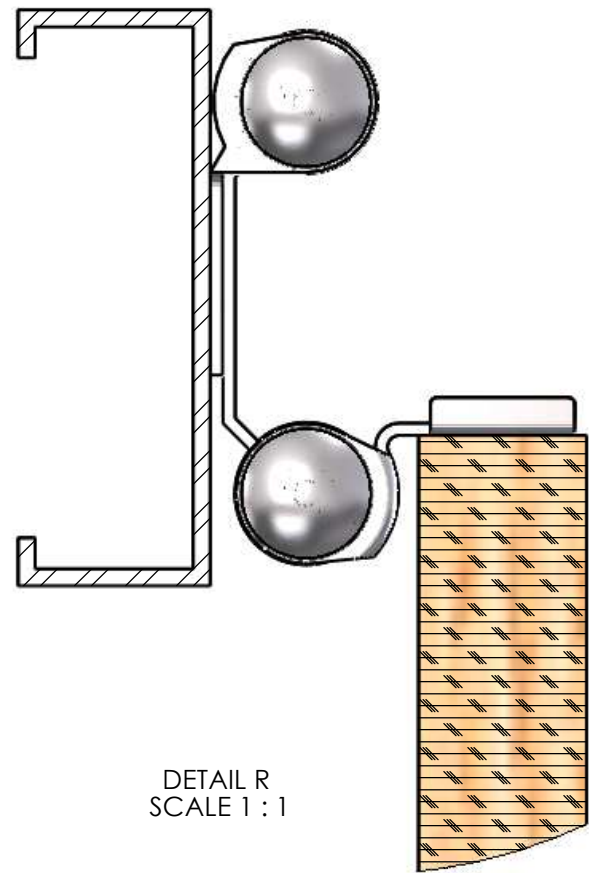
**BOMMER 3029 SERIES DOUBLE ACTING SPRING HINGE  
DOOR AND HINGE LAYOUT  
PAGE #1 DOOR'S IN CLOSED POSITION**



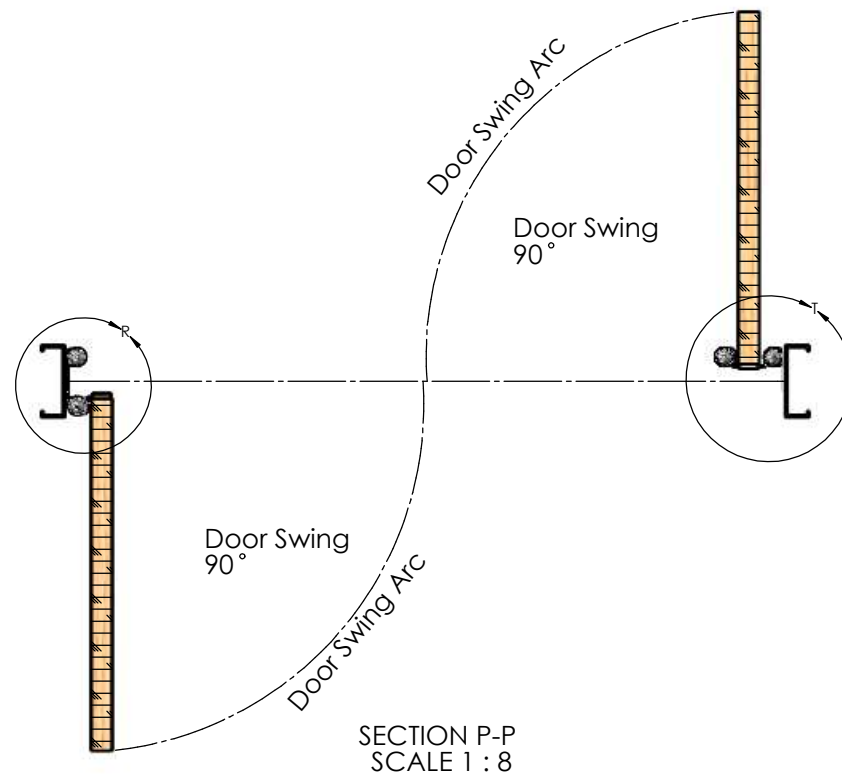
**BOMMER 3029 SERIES DOUBLE ACTING SPRING HINGE  
DOOR AND HINGE LAYOUT  
PAGE #2 DOOR OPEN AND DOOR IN CLOSED POSITION**



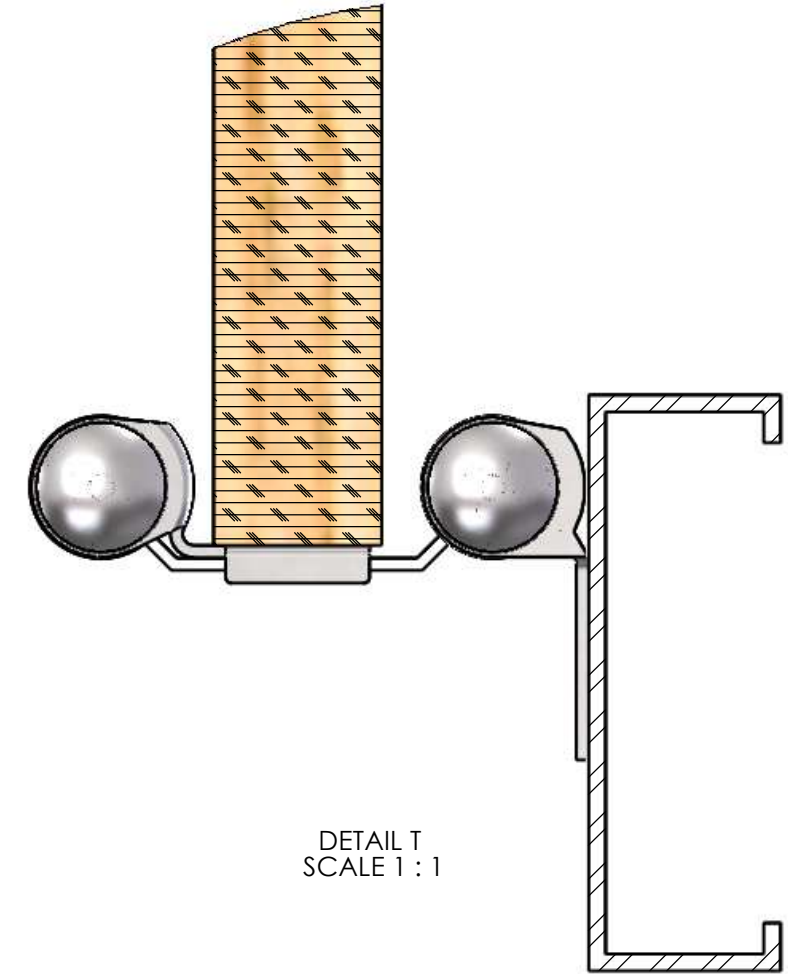
**BOMMER 3029 SERIES DOUBLE ACTING SPRING HINGE  
 DOOR AND HINGE LAYOUT  
 PAGE #3 DOOR'S IN 90° OPEN POSITION SAME SWING**



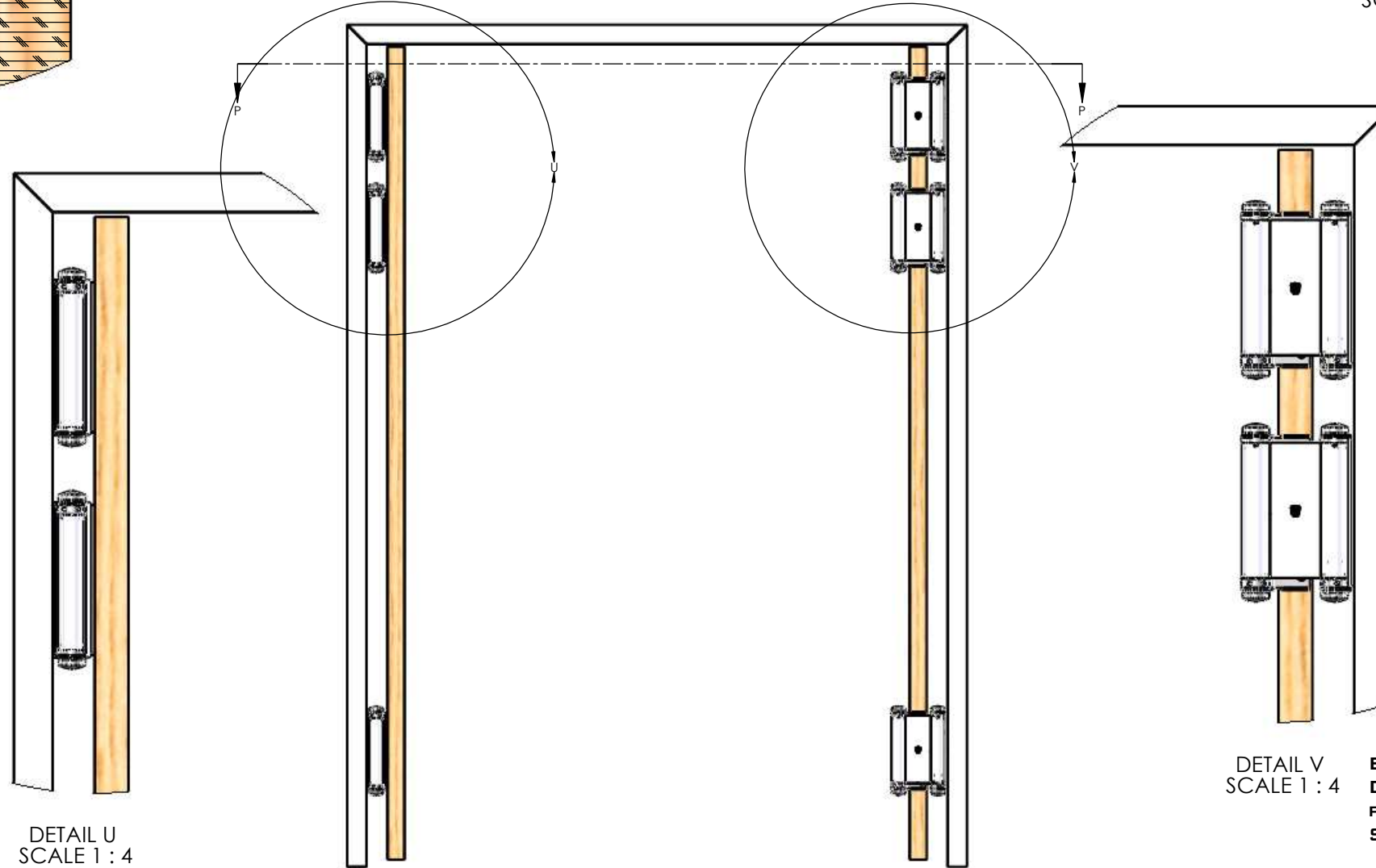
DETAIL R  
SCALE 1 : 1



SECTION P-P  
SCALE 1 : 8



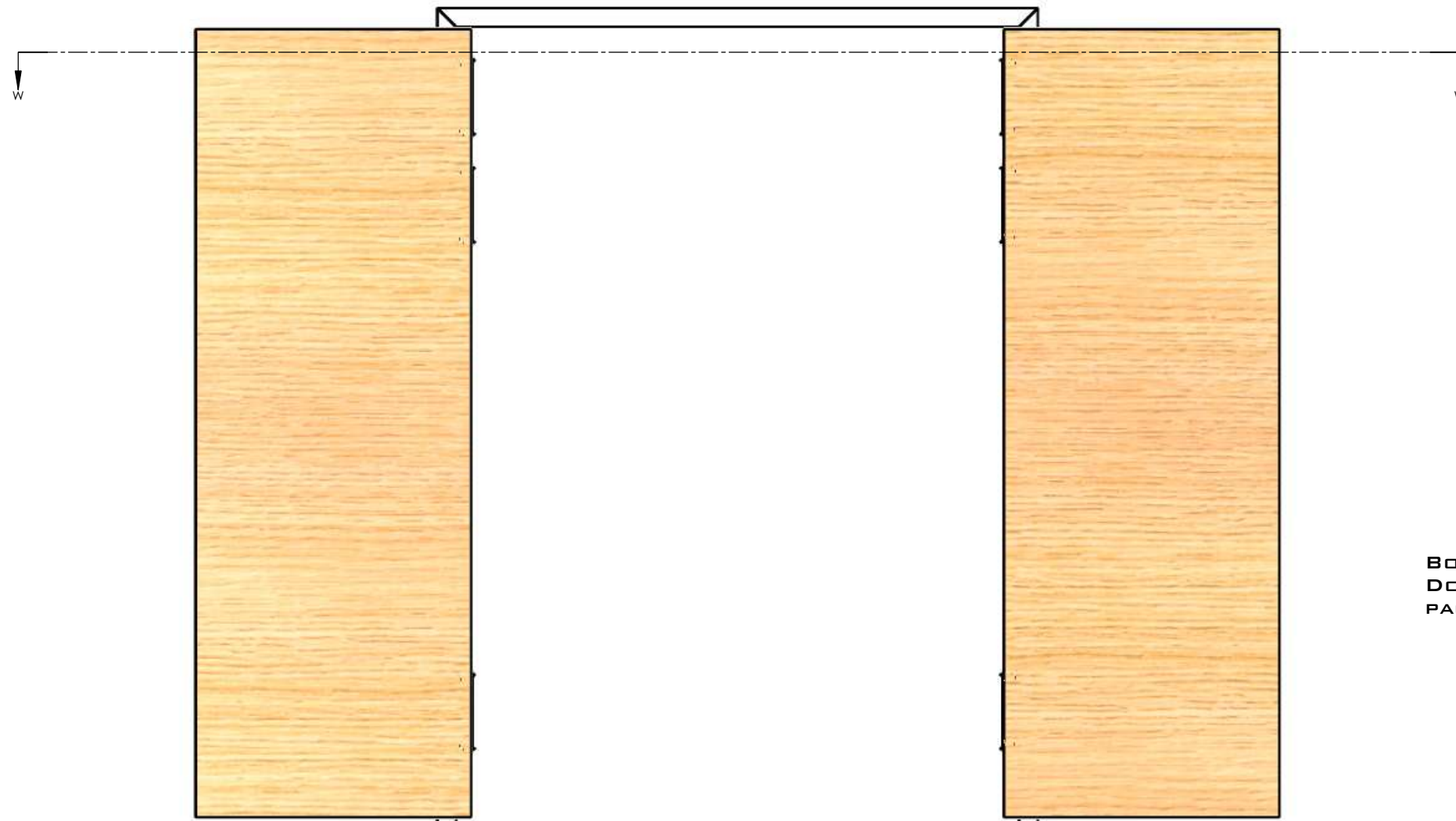
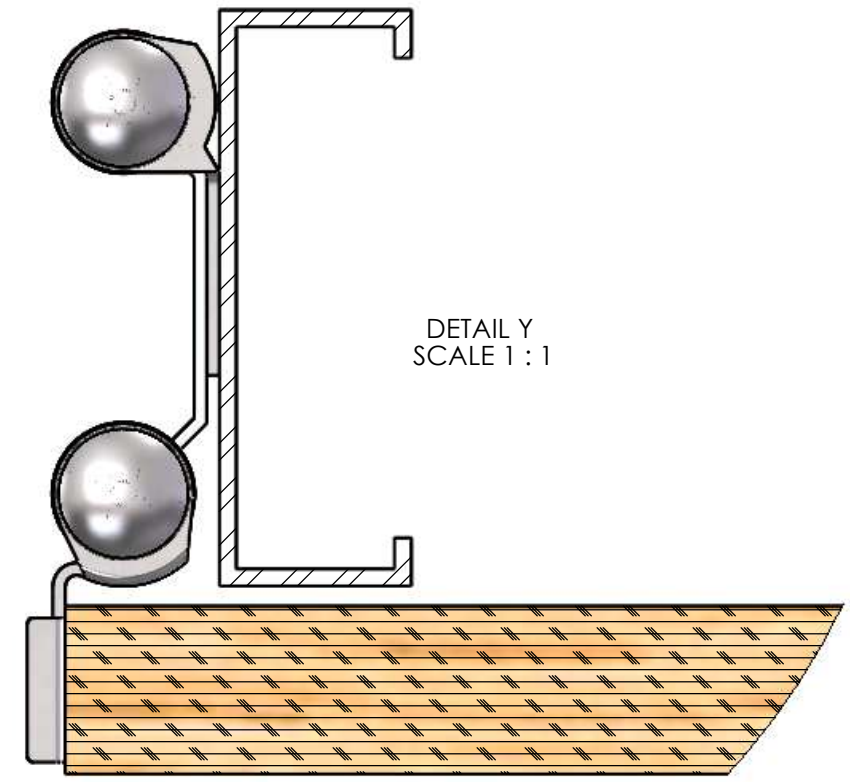
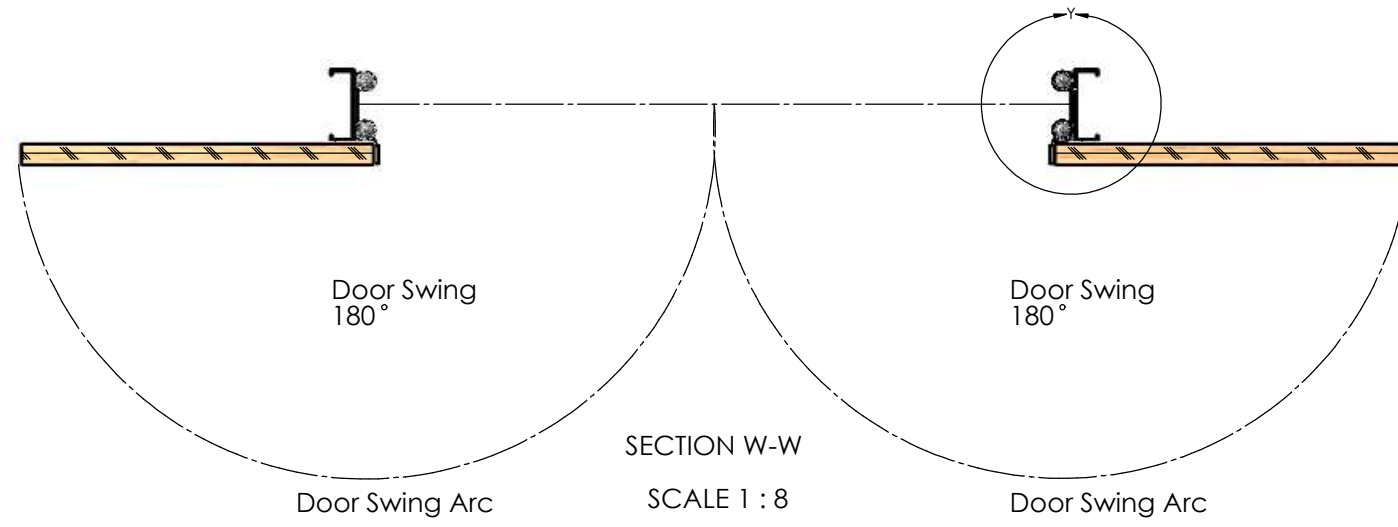
DETAIL T  
SCALE 1 : 1



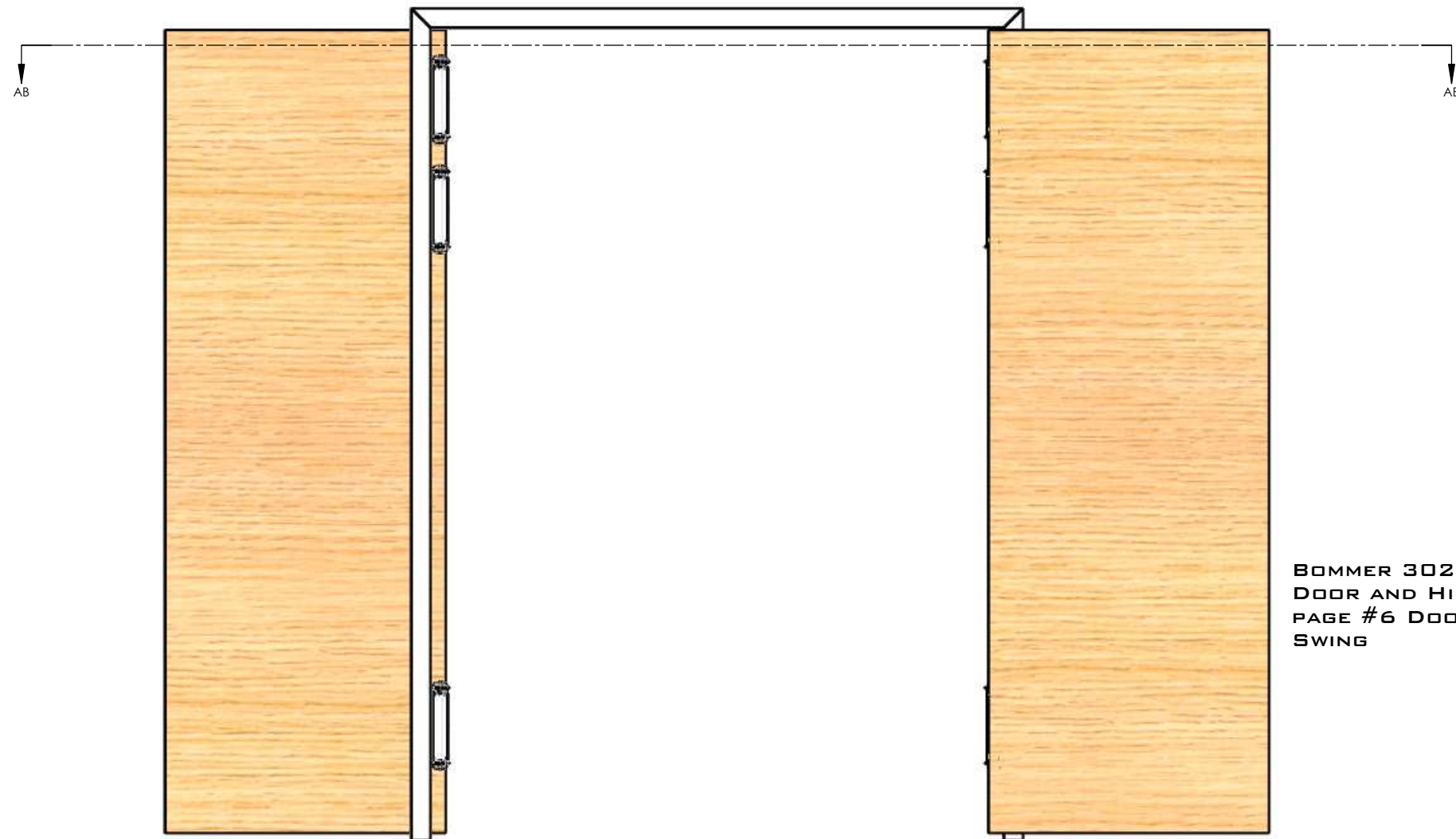
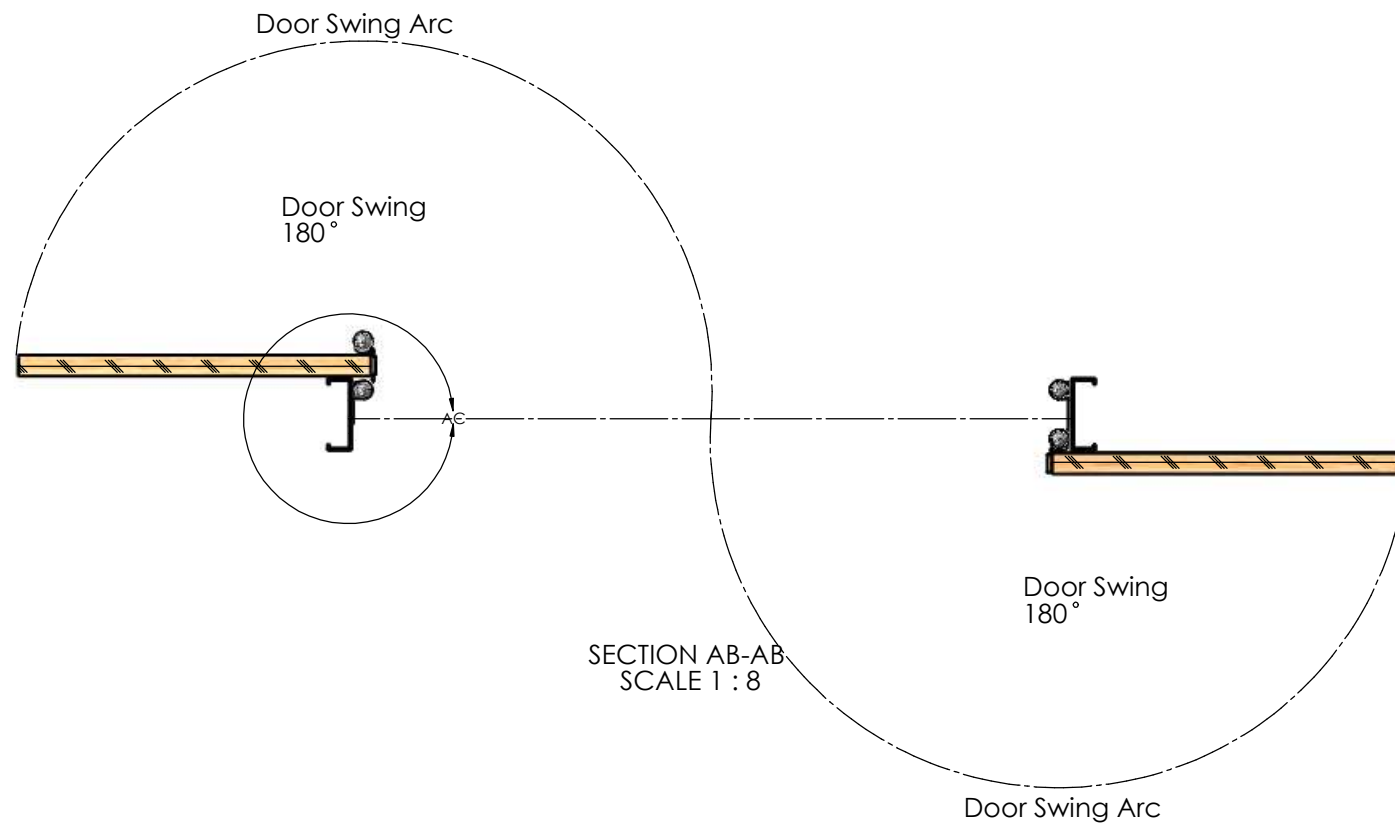
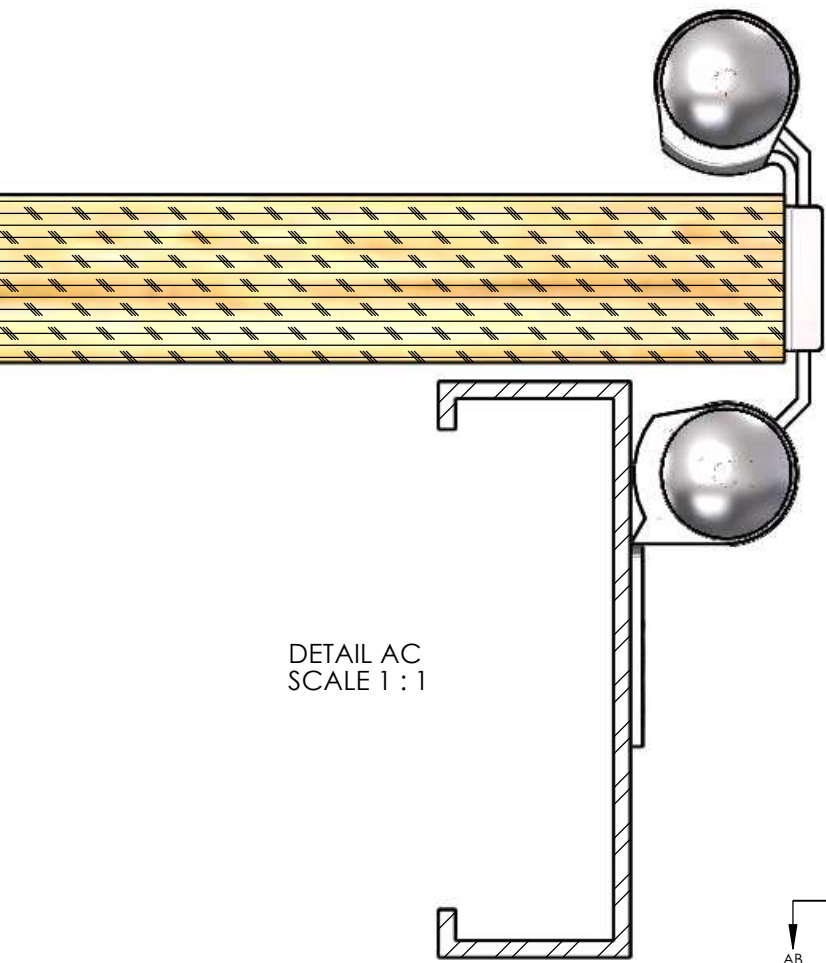
DETAIL U  
SCALE 1 : 4

DETAIL V  
SCALE 1 : 4

**BOMMER 3029 SERIES DOUBLE ACTING SPRING HINGE  
DOOR AND HINGE LAYOUT  
PAGE #4 DOOR'S IN 90° OPEN POSITION OPPOSITE  
SWING**



**BOMMER 3029 SERIES DOUBLE ACTING SPRING HINGE  
 DOOR AND HINGE LAYOUT  
 PAGE #5 DOOR'S IN 180° OPEN POSITION SAME SWING**



**BOMMER 3029 SERIES DOUBLE ACTING SPRING HINGE  
DOOR AND HINGE LAYOUT  
PAGE #6 DOOR'S IN 180° OPEN POSITION OPPOSITE  
SWING**