

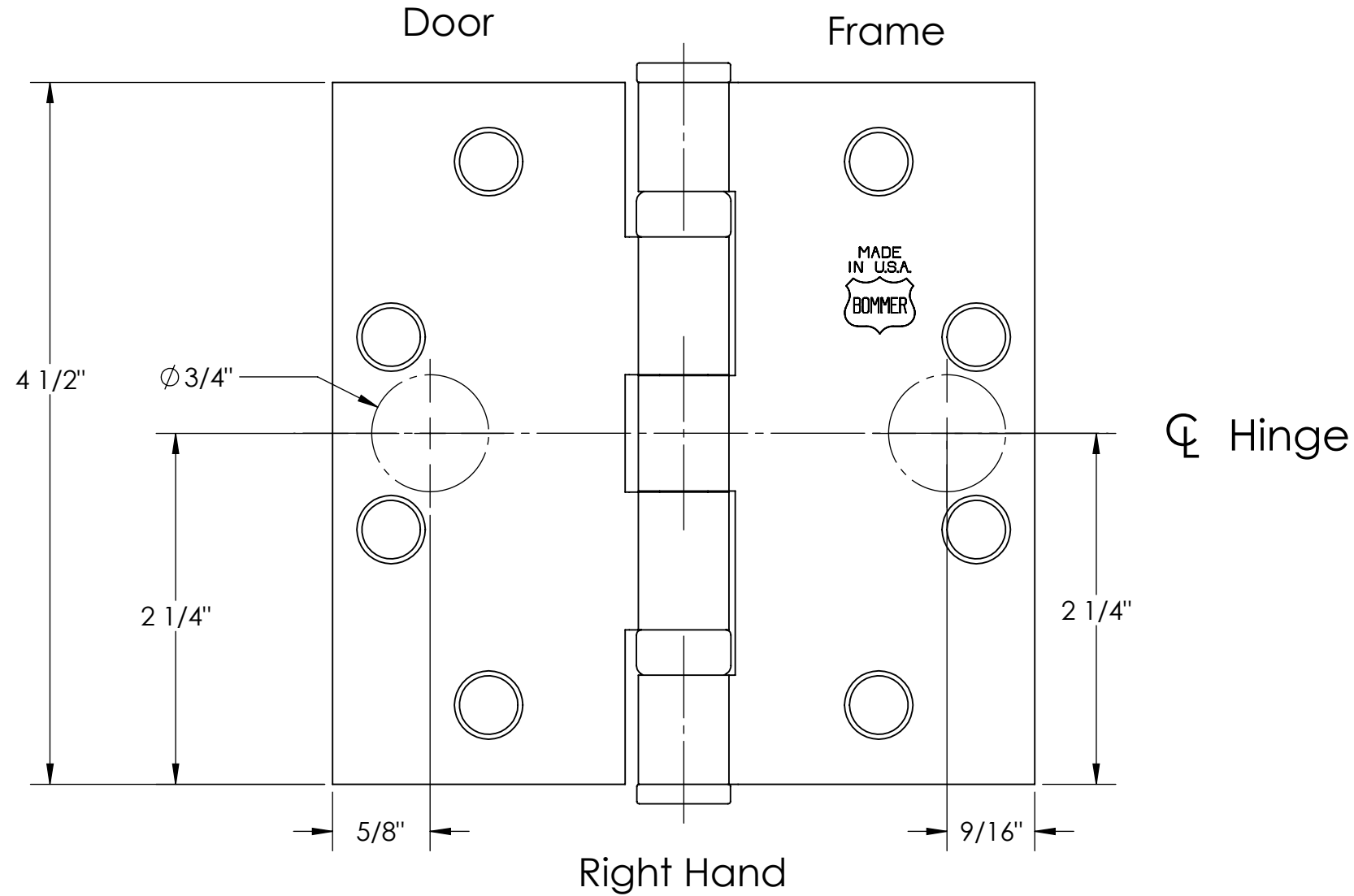
-DO NOT SCALE-

-DO NOT SCALE-

Full Mortise Electric Hinge Template 4.5"

2 Wire / 4 Wire / 6 Wire / 8 Wire

Concealed Electric Through-Wire




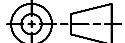
-DO NOT SCALE-

Notes:

- Hinges are non-load bearing and must be mounted in the center position.
- Drill and deburr holes in door and frame for wire access. Wood doors and frames require a 2" minimum depth.

-DO NOT SCALE-

PROPRIETARY AND CONFIDENTIAL
 THE INFORMATION CONTAINED IN THIS DRAWING IS THE SOLE PROPERTY OF BOMMER INDUSTRIES, INC. ANY REPRODUCTION IN PART OR AS A WHOLE WITHOUT THE WRITTEN PERMISSION OF BOMMER INDUSTRIES, INC. IS PROHIBITED.

(A)	A2	A	Template Released	10/25/2017							
	ZONE	REV.	DESCRIPTION	DATE	APPR						
REVISIONS											
<small>UNLESS OTHERWISE SPECIFIED: DIMENSIONING & TOLERANCING PER ASME Y14.5 1994 DIMENSIONS ARE IN INCHES TOLERANCES ARE AS FOLLOWS</small> <table border="1"> <tr> <td>LINEAR</td> <td>ANGULAR</td> </tr> <tr> <td>.000 ±.005</td> <td>0.0 ±30'</td> </tr> <tr> <td>.00 ±.010</td> <td>0. ±1.5°</td> </tr> </table>			LINEAR	ANGULAR	.000 ±.005	0.0 ±30'	.00 ±.010	0. ±1.5°			DIV / GRP : Builders Hardware / Contract Hinges PRODUCT : BB5060-450ETW02 / BB5060-450ETW04 BB5060-450ETW06 / BB5060-450ETW08 TYPE : Electric Through-Wire Template 4.5" Standard Weight Ball Bearing
LINEAR	ANGULAR										
.000 ±.005	0.0 ±30'										
.00 ±.010	0. ±1.5°										
			Bommer Industries, Inc. Landrum, SC								
			DRWN Jackson 10/25/2017	DWG NO							
			CHCK	BB5060-450ETW-T							
			APPR	REV							
			 Not to Scale		A						
					1 / 1						

8

7

6

5

4

3

2

1