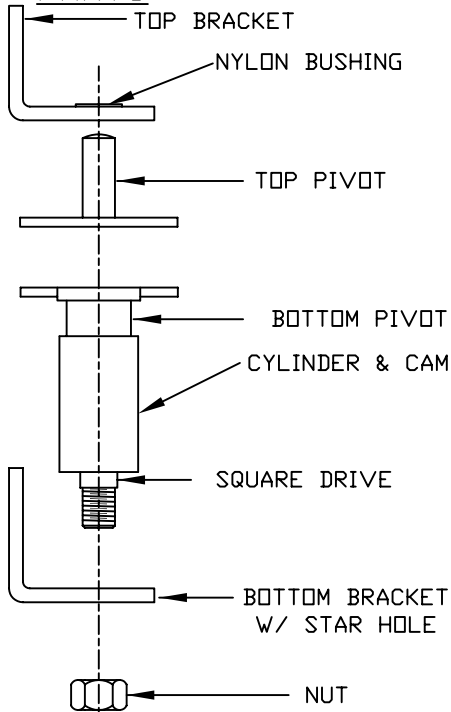
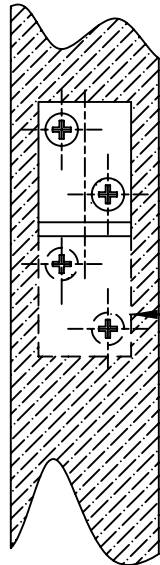


PARTS



STEP NO. 1

FASTEN BOTTOM BRACKET TO JAMB

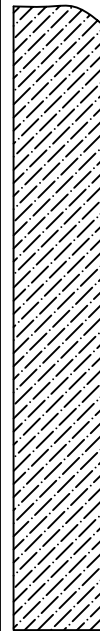


BOTTOM BRACKET ONLY CAN ALSO BE INSTALLED UP / DOWN AS SHOWN

BE SURE BOTTOM BRACKET IS IN VERTICAL ALIGNMENT WITH TOP BRACKET

STEP NO. 2

FASTEN PIVOT CYLINDER IN BOTTOM BRACKET

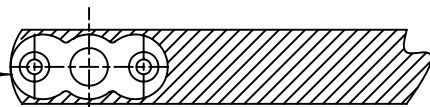


SET SQUARE DRIVE INTO SQUARE HOLE LOCATED IN THE BOTTOM BRACKET

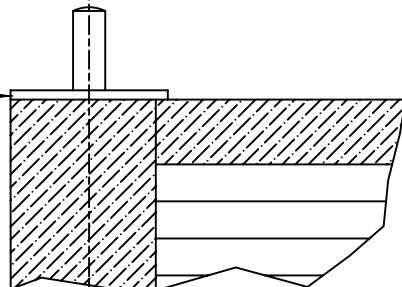
ONLY TIGHTEN NUT TO SNUG FIT
DO NOT OVER TIGHTEN NUT

STEP NO. 3

ROUND JAMB EDGE OF DOOR WITH 7/8" RADIUS

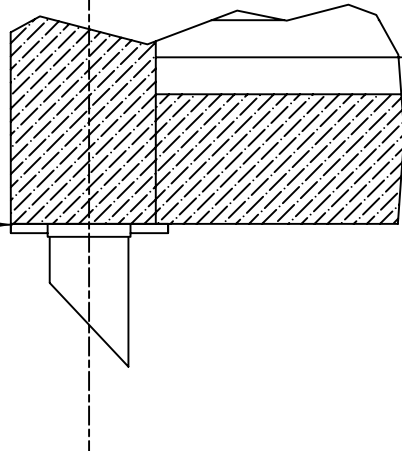


FASTEN TOP PIVOT



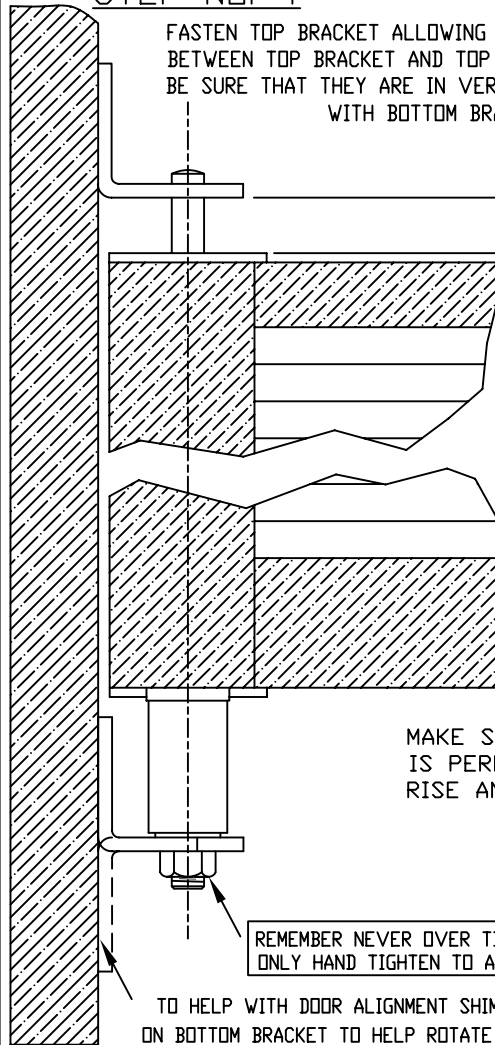
BE SURE TOP AND BOTTOM PIVOT ARE IN VERTICAL ALIGNMENT

FASTEN UPPER CAM OF BOTTOM PIVOT



STEP NO. 4

FASTEN TOP BRACKET ALLOWING CLEARANCE BETWEEN TOP BRACKET AND TOP PIVOT PLATE. BE SURE THAT THEY ARE IN VERTICAL ALIGNMENT WITH BOTTOM BRACKET.



MAKE SURE DOOR IS PERMITTED TO RISE AND FALL

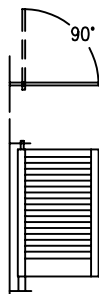
REMEMBER NEVER OVER TIGHTEN NUT
ONLY HAND TIGHTEN TO A SNUG FIT.

TO HELP WITH DOOR ALIGNMENT SHIMS MAY BE USED ON BOTTOM BRACKET TO HELP ROTATE DOOR IN OR OUT.

-----NOTE-----

THE 7512-H WITH HOLD OPEN FEATURE DOES NOT REQUIRE ANY SPECIAL INSTALLATION. THE HOLD OPEN FEATURE IS ON THE CAM AND HOLDS DOOR WHEN OPENED TO AT LEAST 90°. TO RELEASE DOOR, PUSH DOOR WITH AN EASY PUSH. 7512 AND 7512-H ARE DOUBLE ACTING AND ARE CAPABLE OF 180° PLUS OPENING.

DOOR THICKNESS
7/8" TO 1 5/8"



BOMMER IND. INC. LANDRUM, S.C.

TYPE : LOUVER DOOR GRAVITY PIVOT
PART NO.: 7512 AND 7512-H DOUBLE ACTING

Drawn by : JACKSON	DATE 14 MAR 2007	SCALE N.T.S.	DRAWING NUMBER 865661	REV. B
--------------------	---------------------	-----------------	--------------------------	-----------