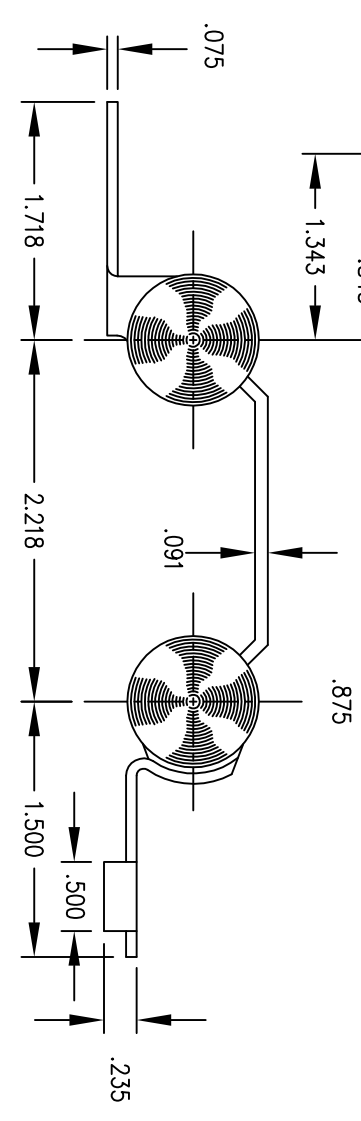
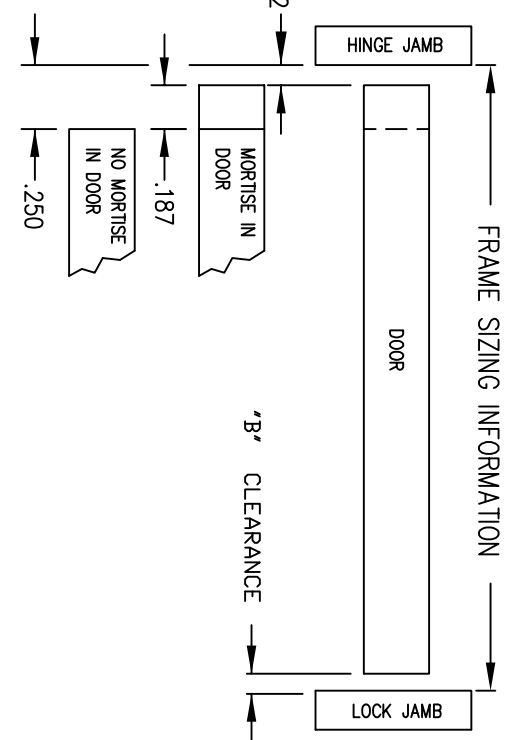


FRAME OPENING FOR SINGLE DOORS MORTISED (.062" + DOOR WIDTH + CLEARANCE "B")
 FRAME OPENING FOR SINGLE DOORS NOT MORTISED (.250" + DOOR WIDTH + CLEARANCE "B")



DOOR SIZES, WEIGHTS AND CLEARANCE "B"

HINGE TYPE	MAX. DOOR WIDTH	DOOR WEIGHT (LBS) MAX.	CLEARANCE "B" MIN	
			SQ. EDGE DOOR	ROUND EDGE DOOR
1514	1'-6"	18 lbs.	.250	.125
1514-H	1'-6"	18 lbs.	.250	.125
1515	1'-6"	18 lbs.	.250	.125
1515-H	1'-6"	18 lbs.	.250	.125

VERIFY THAT DRAWING IS CURRENT PRIOR TO USING

WEIGHTS SHOWN ABOVE ARE FOR DOORS 42" HIGH
 DOOR THICKNESS - (7/8" to 1")

---NOTES---
 SCREW SIZE (12) No. 7 X 3/4" WOOD SCREWS

Bommer BOMMER INDUSTRIES, INC.
 LANDRUM, SC 29356
 MADE IN THE USA

1514-H LOUVER SPRING DOOR HINGE
 DOUBLE ACTING SPRING HINGE

DRAWN BY : STEWART JACKSON	DATE : 01 DEC 99	SCALE : NONE	DRAWING NUMBER : 1514-H-TEMP
APPROVED BY :			
PLOT DATE : 01 DEC 99			

THIS IS A CAD DRAWING. DO NOT REUSE MANUALLY.