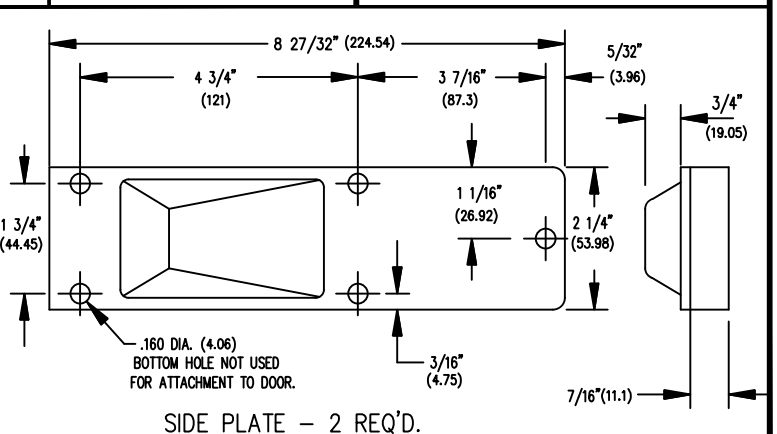
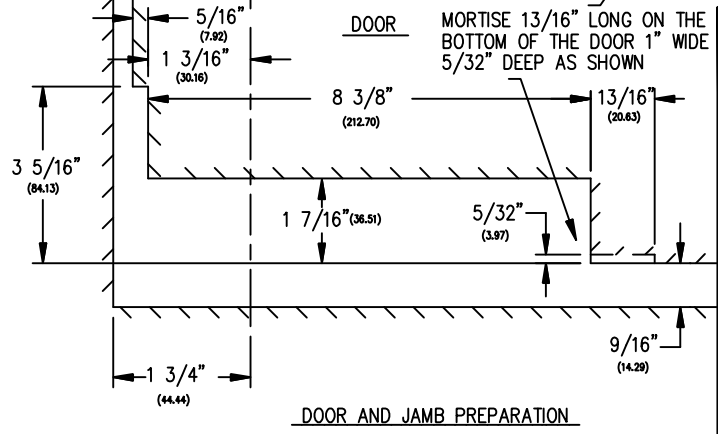
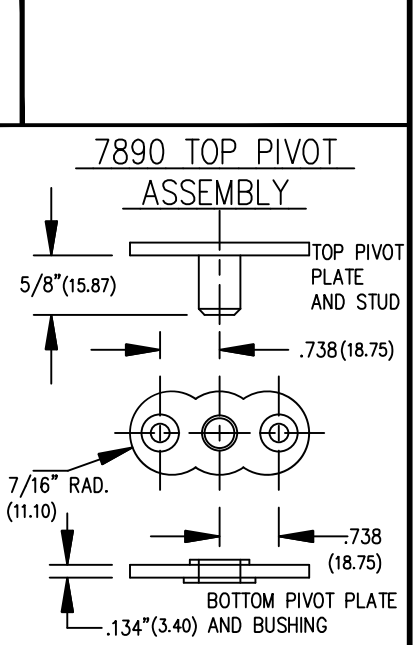
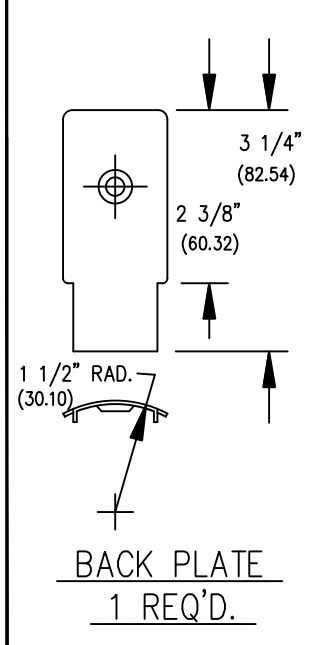
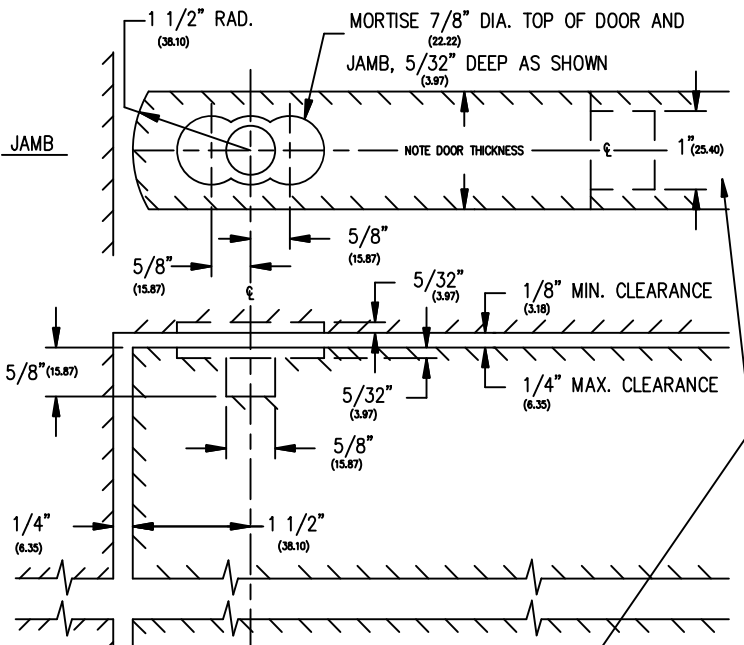
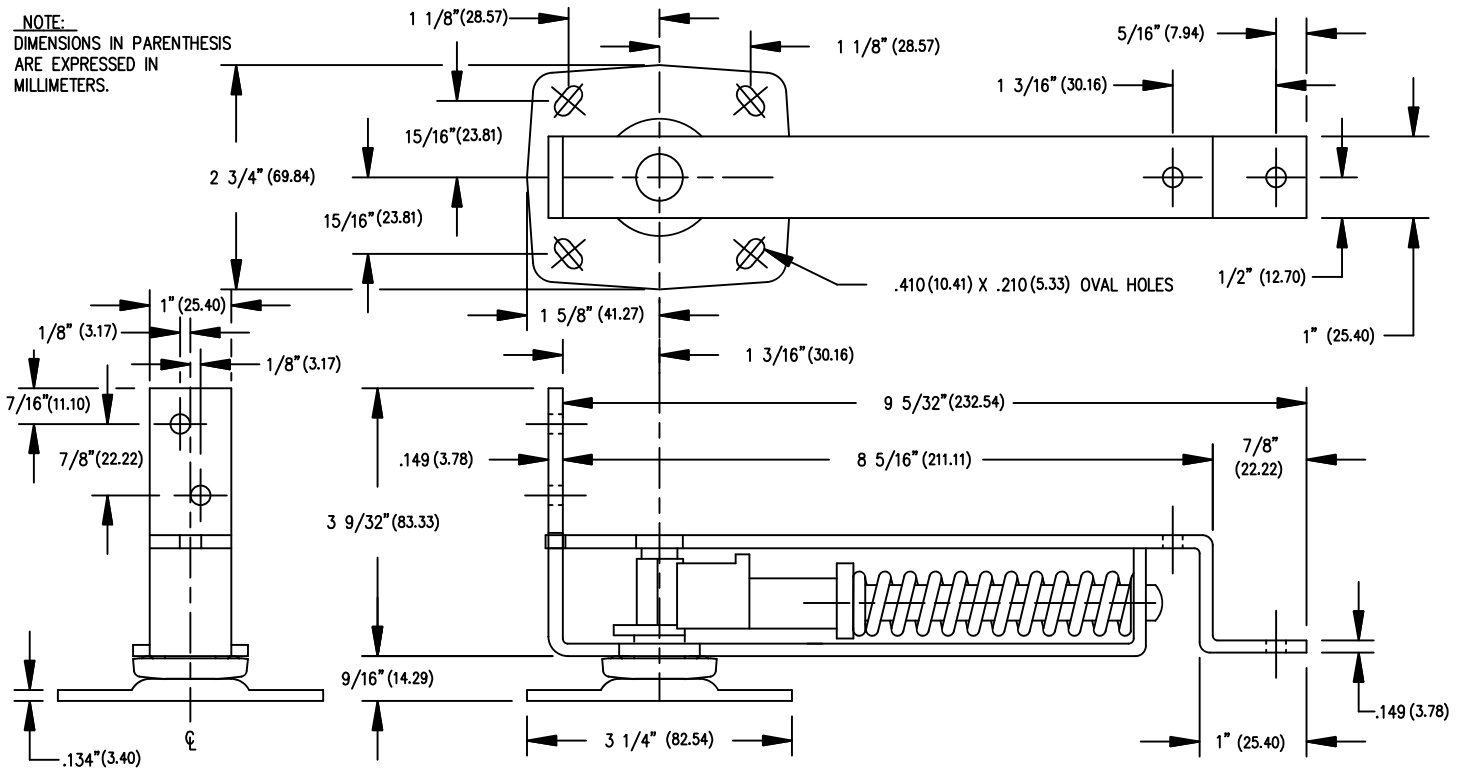


NOTE:  
DIMENSIONS IN PARENTHESIS  
ARE EXPRESSED IN  
MILLIMETERS.



ITEM	SCREWS	
FRAME	(4) #10 X 1 1/4"	PAN HEAD WOOD SCREW
FLOOR PLATE	(4) #10 X 1 1/4"	PAN HEAD WOOD SCREW
SIDE PLATE	(6) #6 X 3/4"	ROUND HEAD WOOD SCREW
BACK PLATE	(1) #10-24 X 1/2"	FLAT HEAD MACHINE SCREW
TOP PIVOT	(4) #10 X 1"	FLAT HEAD WOOD SCREW

NOTE  
DOOR THICKNESS  
1 3/8" TO 1 3/4"

**BOMMER IND. INC. LANDRUM, S.C.**

TYPE : HORIZONTAL SPRING PIVOT  
DOUBLE ACTING

PART NO.: 7801      REVISED DATE: 09 OCT 2014

Drawn by : JACKSON	DATE	SCALE	DRAWING NUMBER	REV.
Approved by :	15 MAY 98	N.T.S.	7801TEMP	B