

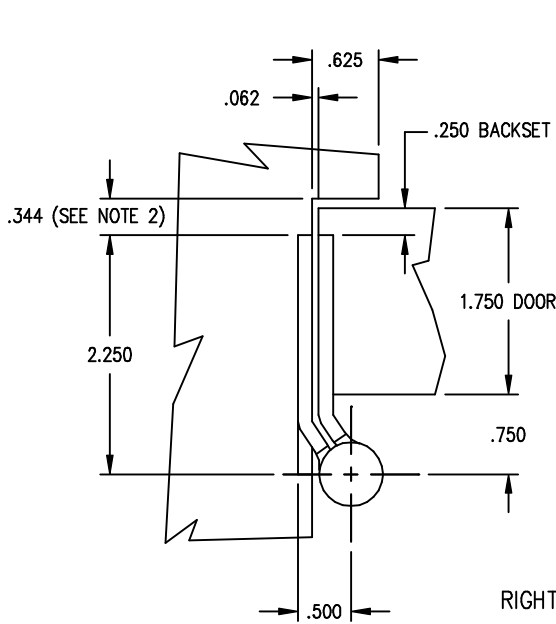
Bommer Industries Inc.  
 19810 Highway 176  
 P.O. Box 187  
 Landrum SC 29356

# TEMPLATE HINGES

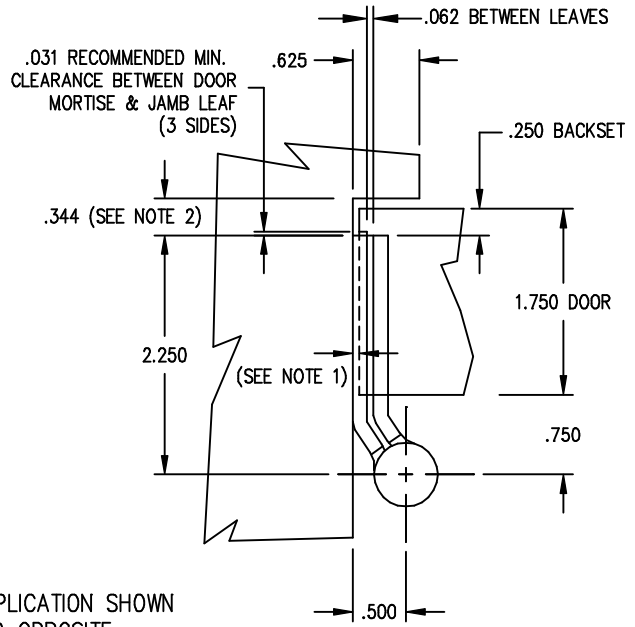
FULL MORTISE – STANDARD WEIGHT – RAISED BARREL (SQUARE DOOR EDGE)

SIZE 4.5 x 4.5 INCHES  
 (450)

DRAWING NOT TO SCALE



MORTISE APPLICATION



SURFACE APPLICATION

**NOTES:**

1. SIDE CLEARANCE BETWEEN DOOR AND FRAME DETERMINED BY DEPTH OF MORTISE. .062 MINIMUM RECOMMENDED.
2. RECOMMENDED FOR APPROX. .062 SWINGING CLEARANCE BETWEEN DOOR AND STOP.

CATALOG NUMBER			
STEEL HINGES	BRASS OR BRONZE HINGES	STAINLESS STEEL HINGES	GAUGE OF METAL
BB5040	BB5041	BB5042	.134
LB8040	LB8041	LB8042	.134

MACHINE SCREW SIZE – 1/2 X 12-24 F.H.  
 WOOD SCREW SIZE – 1 1/2 X NO.12 F.H.

TEMPLATE NO. BB5040-450-T

